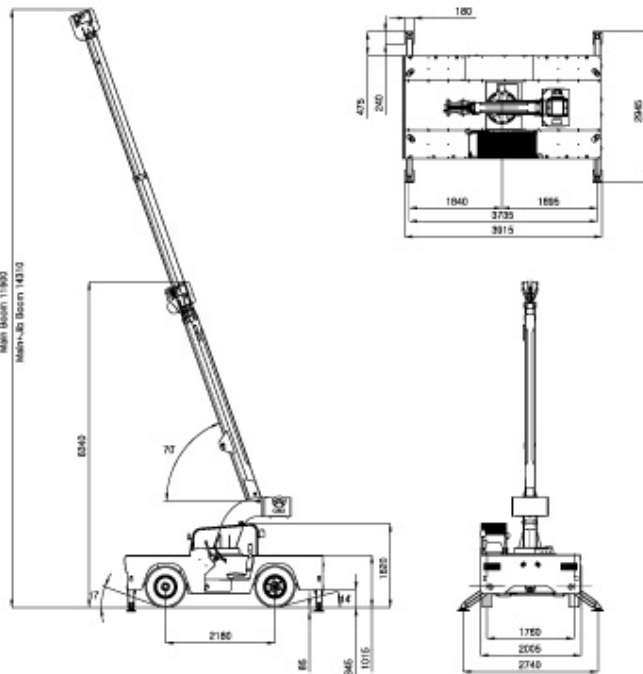
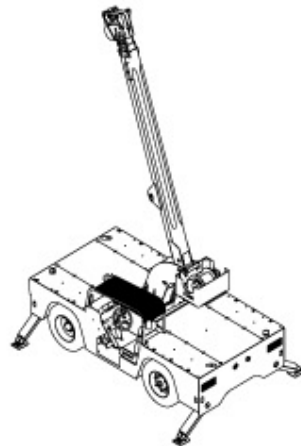


Gcar-crane 9000

World's ONLY Production
All-Electric Carrydeck Cranes



Gcar-crane 9000 Dimensions



Gcar-crane 9000

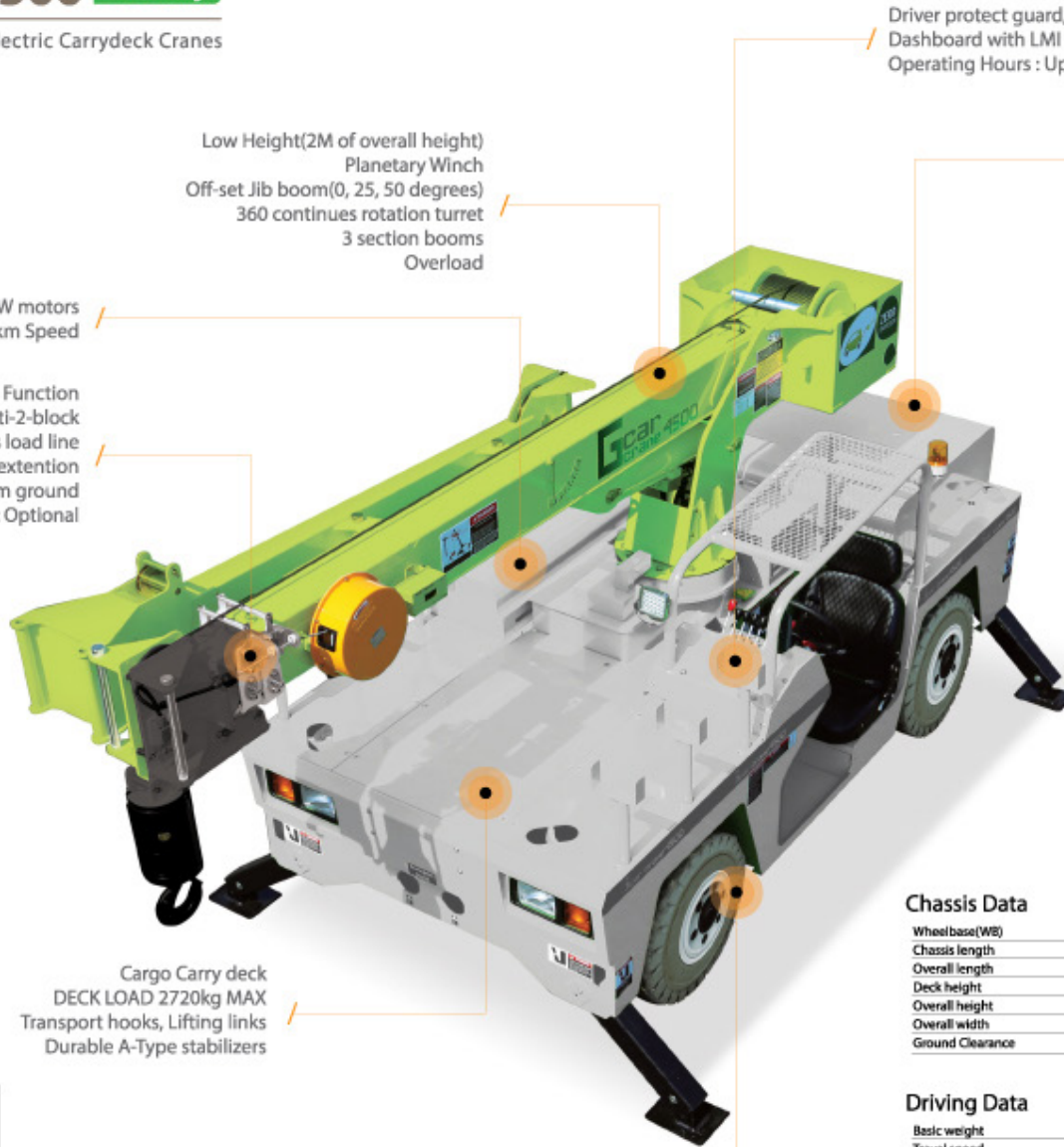
World's ONLY Production
All-Electric Carrydeck Cranes



54306. 73, Mangyeonggongdan 2(i)-gil, Mangyung-eup, Gimje city, Jeonbuk, KOREA
TEL : +82. 63. 540. 5555
E-mail : horyong@horyong.co.kr

Gcar-crane 4500 eco EARTH Saving

World's ONLY Production All-Electric Carrydeck Cranes



Low Height(2M of overall height)
Planetary Winch
Off-set Jib boom(0, 25, 50 degrees)
360 continues rotation turret
3 section booms
Overload

20KW motors
Max 6km Speed

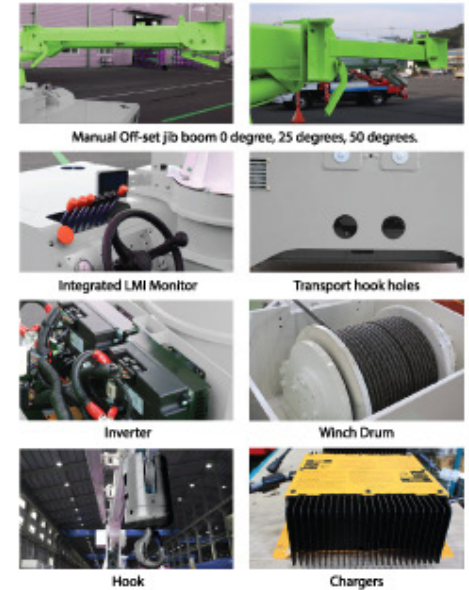
LMI Function
Anti-2-block
2 parts load line
Max. boom tip height with extension
: 10.5m from ground
One man basket : Optional

Driver protect guard,
Dashboard with LMI Monitor and energy display
Operating Hours : Up to 3 hours

DC 72V battery and 300Ah
8 Hours of full charging both 100-240V
Zero emission

Cargo Carry deck
DECK LOAD 2720kg MAX
Transport hooks, Lifting links
Durable A-Type stabilizers

Non-marking tire
Turning Radius : Min. 3.62m(11 ft 10 in.)



Manual Off-set jib boom 0 degree, 25 degrees, 50 degrees.

Integrated LMI Monitor

Transport hook holes

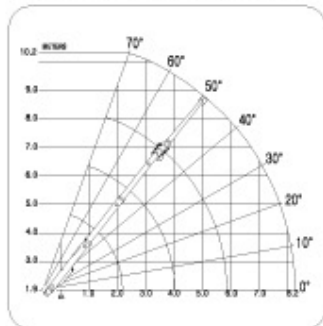
Inverter

Winch Drum

Hook

Chargers

Gcar-crane 4500 Working Radius



Chassis Data

Wheelbase(WB)	1980mm
Chassis length	3330mm
Overall length	4350mm
Deck height	875mm
Overall height	2130mm
Overall width	1570mm
Ground Clearance	Chassis 185mm

Driving Data

Basic weight	4010kg
Travel speed	Max. 6km/h
Tire type	Solid 7.00x12
Turning Radius	Min. 3.62m
Flatbed	max 2495kg

Power

Motor	Max 16kw x 2
Battery Capacity(V/Ah)	DC72V/300AH
Brakes	Automatic Spring Applied Multiple Discs

Gcar-crane 4500 LOAD CHART

DIVISION	LOAD RADIUS (m)	MAIN BOOM OR EXTENSION CAPACITIES (kilogram)			
		FRONT		All Side	
		ON RUBBER	ON OUTRIGGER	ON RUBBER	ON OUTRIGGER
MAIN BOOM	0.9	2,995	4,080	2,515	3,810
	1.2	2,855	3,900	1,860	3,470
	1.5	2,630	3,445	1,405	2,995
	1.8	2,310	3,015	1,245	2,585
	2.4	1,950	2,740	905	1,905
	3.0	1,450	2,425	635	1,360
	3.7	995	2040	450	995
	4.3	815	1630	340	725
	4.9	655	1335	270	590
	5.5	540	1065	200	475
20.0	475	905	155	405	

Jib Chart		Main Boom / Outriggers Only / 360 Degree(85%)							
		70°	60°	50°	40°	30°	20°	10°	0°
Jib Offset	0°	1225	905	565	405	315	270	245	225
	25°	905	655	495	385	295	245	225	-
	50°	680	655	475	340	295	270	245	-