

# Gcar-crane 4500

World's ONLY Production  
All-Electric Carrydeck Cranes



# Gcar-crane 4500

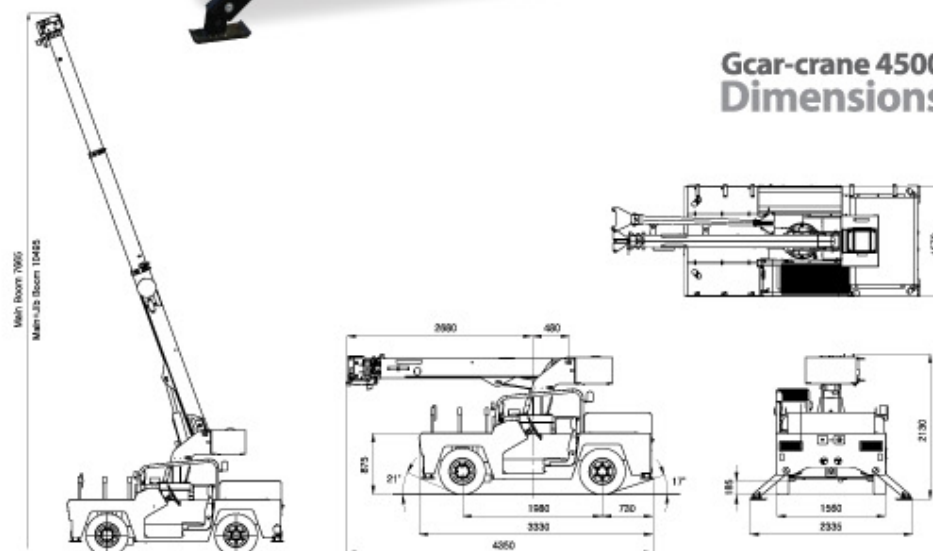
World's ONLY Production  
All-Electric Carrydeck Cranes



Zero Emission Equipment  
4Ton Electric Carrydeck Crane



## Gcar-crane 4500 Dimensions



# Gcar-crane 9000 eco EARTH Saving

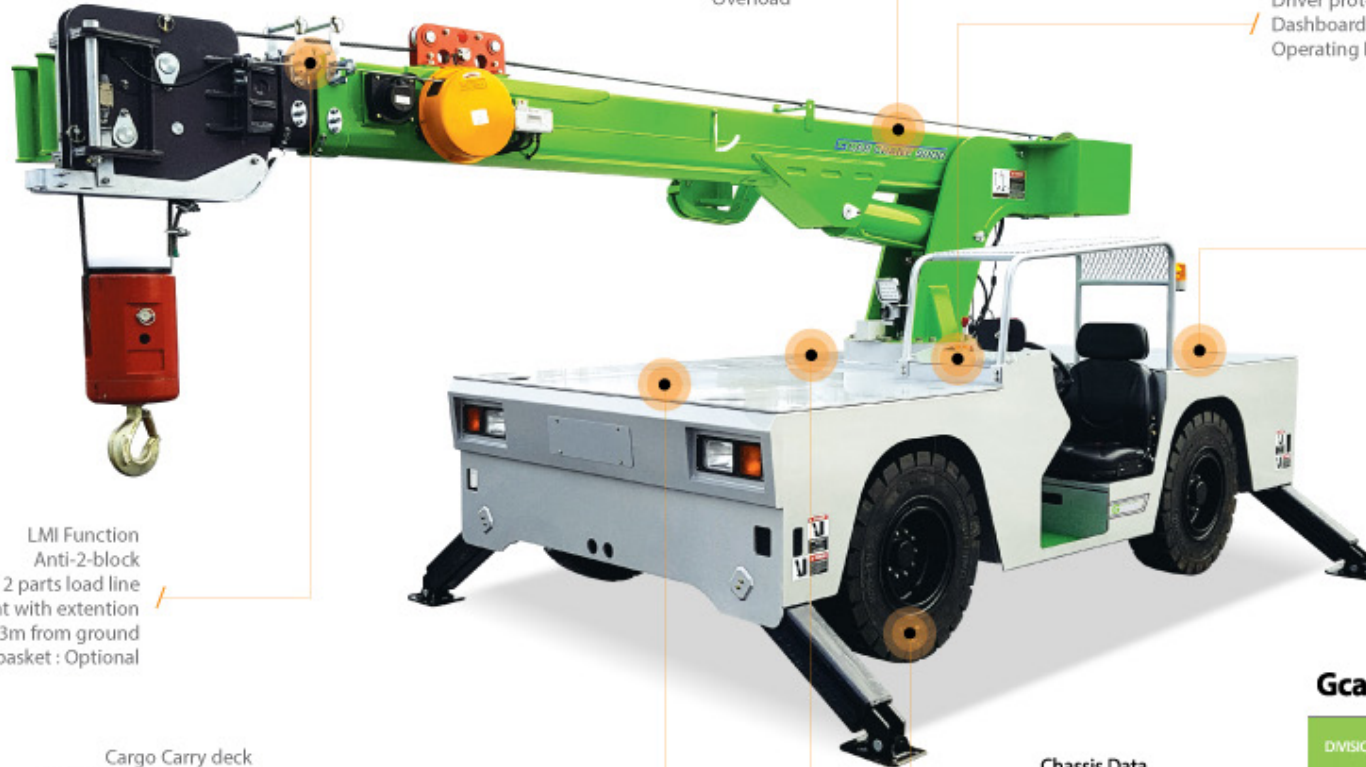
World's ONLY Production All-Electric Carrydeck Cranes



Low Height(2.3M of overall height)  
Planetary Winch  
Off-set Jib boom(0, 15, 30 degrees)  
360 continues rotation turret  
3 section booms  
Overload

Driver protect guard,  
Dashboard with LMI Monitor and energy display  
Operating Hours : Up to 4 hours

DC 72V battery and 800Ah  
8 Hours of full charging both 100-240V  
Zero emission



LMI Function  
Anti-2-block  
2 parts load line  
Max. boom tip height with extension  
: 14.3m from ground  
One man basket : Optional

Cargo Carry deck  
DECK LOAD 5500kg MAX  
Transport hooks, Lifting links  
Durable A-Type stabilizers

Driving Motor : 7KW X 2  
Electric Motor(Crane) : 19.7KW X 1

Non-marking tire  
Turning Radius : 4.54m(14 ft 10 in.)

### Chassis Data

Wheelbase(WL)	2180mm
Chassis length	3980mm
Overall length	5910mm
Deck height	1015mm
Overall width	2005mm
Ground Clearance Chassis	210mm

### Driving Data

Basic weight	8100kg
Travel speed	Max 13km/h
Tire type	Solid 6.25x15
Turning Radius	4540mm
Flatbed	max 5500kg
Steering Wheel	Hydraulic Steering

### Power

Drive Motor(kw)	7x2
Crane Motor(kw)	19.7kw
Battery Capacity(V/Ah)	DC72V/800AH
Brakes	Hydraulic Drum Brake Type
Max. Hydraulic Pressure	210 bar

## Gcar-crane 9000 LOAD CHART

DIVISION	LOAD RADIUS (m)	MAIN BOOM OR EXTENSION CAPACITIES (kilogram)			
		FRONT		All Side	
		ON RUBBER	ON OUTRIGGER	ON RUBBER	ON OUTRIGGER
MAIN BOOM	1.5	3,710	6,330	3,120	6,730
	1.8	3,690	5,810	3,100	5,830
	2.4	3,630	5,010	2,480	4,350
	3.0	2,770	4,640	2,160	3,630
	3.7	2,030	4,090	1,580	2,630
	4.3	1,550	3,500	1,200	2,220
	4.9	1,320	3,110	970	1,840
	5.5	1,050	2,530	730	1,630
	6.1	950	2,140	630	1,310
	6.7	790	1,850	550	1,200
	7.3	690	1,610	440	1,050
	7.9	630	1,430	360	920
8.5	590	1,270	280	770	
9.1	500	1,130	240	690	

Jib Chart		Main Boom / All Side(Only Outriggers)							
		70°	60°	50°	40°	30°	20°	10°	0°
Jib Offset	0°	2,340	1,100	840	610	530	410	340	340
	15°	1,340	1,050	810	590	530	420	0	0
	30°	1,140	1,040	790	570	500	420	0	0